

PATENT SPECIFICATION



Application Date: June 25, 1934. No. 18709/34.

436,246

Complete Specification Left: June 11, 1935.

Complete Specification Accepted: Oct. 8, 1935.

PROVISIONAL SPECIFICATION

Improvements relating to Slicing Machines

We, BERKEL AND PARNALL'S SLICING MACHINE MANUFACTURING COMPANY LIMITED, a British Company, of Aden Road, Ponders End, Middlesex, and HENRY THOMAS, a British subject, of the Company's address, do hereby declare the nature of this invention to be as follows:—

This invention relates to machines for slicing meat and other substances.

For use in feeding the substance to be sliced towards the knife of a slicing machine, the invention provides a unit assembly capable of being detachably fitted to the machine and comprising a support or frame, substance-engaging means slidable with respect thereto, and mechanism (actuatable from the machine) for effecting stepwise sliding movement of said means.

A particular purpose, but not the only purpose, of the invention is to enable slices to be cut from a piece at an angle (other than a right-angle) to the length of the piece; this is sometimes desirable in the slicing of, for example, certain kinds of bacon and sausages and certain species of fish. When intended for such purpose the support or frame of the unit assembly may include means whereby the assembly can be detachably mounted on the slicing machine at the required angle or inclination to the plane of the knife, and, if desired, the said mounting means may be adjustable so as to enable the angle or inclination to be varied at will.

The stepwise feed mechanism embodied in the assembly may include a feed screw journaled for rotation in the support or frame, and a co-operating segmental nut or equivalent carried by the slidable substance-engaging means, said segmental nut or equivalent being preferably so arranged that it can be disengaged from the feed screw when required in order to permit free sliding movement of the substance-engaging means. Said feed mechanism may also include any suitable one-way motion device, such as a free-wheel pinion, whereby stepwise or intermittent angular movement can be imparted to the feed screw from the machine.

The substance-engaging means of the

unit assembly may comprise a bifurcated member slidable on the feed screw and having journaled therein a rod equipped with prongs to engage in the substance to be sliced.

By way of example, one constructional form of the unit assembly constituting the invention will now be briefly described.

In this form the support of the assembly consists of a substantially rectangular frame in which a feed screw is centrally mounted for rotation in two opposite walls. The substance-engaging means consists of a forked member freely slidable on the feed screw and having journaled in its limbs a rod equipped with, preferably curved, substance-engaging prongs. To assist in guiding the substance-engaging means comprised of the aforesaid member and prong rod the latter has rollers at its outer ends which bear on guides forming part of the frame. Further, the prong rod is furnished with a handle to enable it to be turned to bring the prongs into or out of engagement with the substance to be fed and sliced after this substance has been placed in position on the unit assembly.

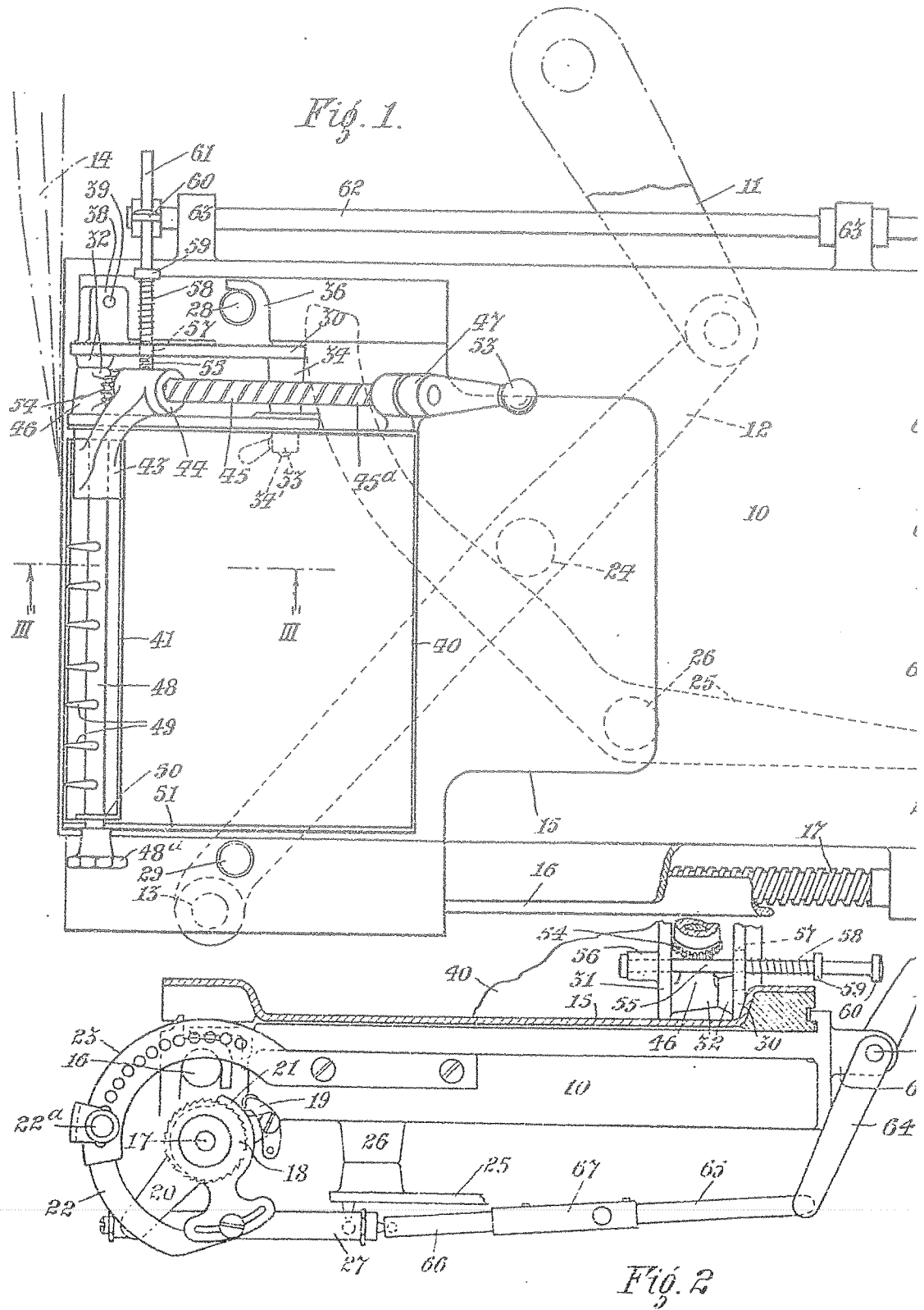
The member is so shaped that during its movement along the feed screw the prong rod moves over or above the upper surface of the supporting frame. Pivoted to the underside of the member is a lever equipped with a segmental nut or equivalent, this lever being constrained by a spring so that normally the segmental nut or equivalent engages the feed screw. However, disengagement can be effected whenever required by simply turning the lever by hand in opposition to the constraining spring.

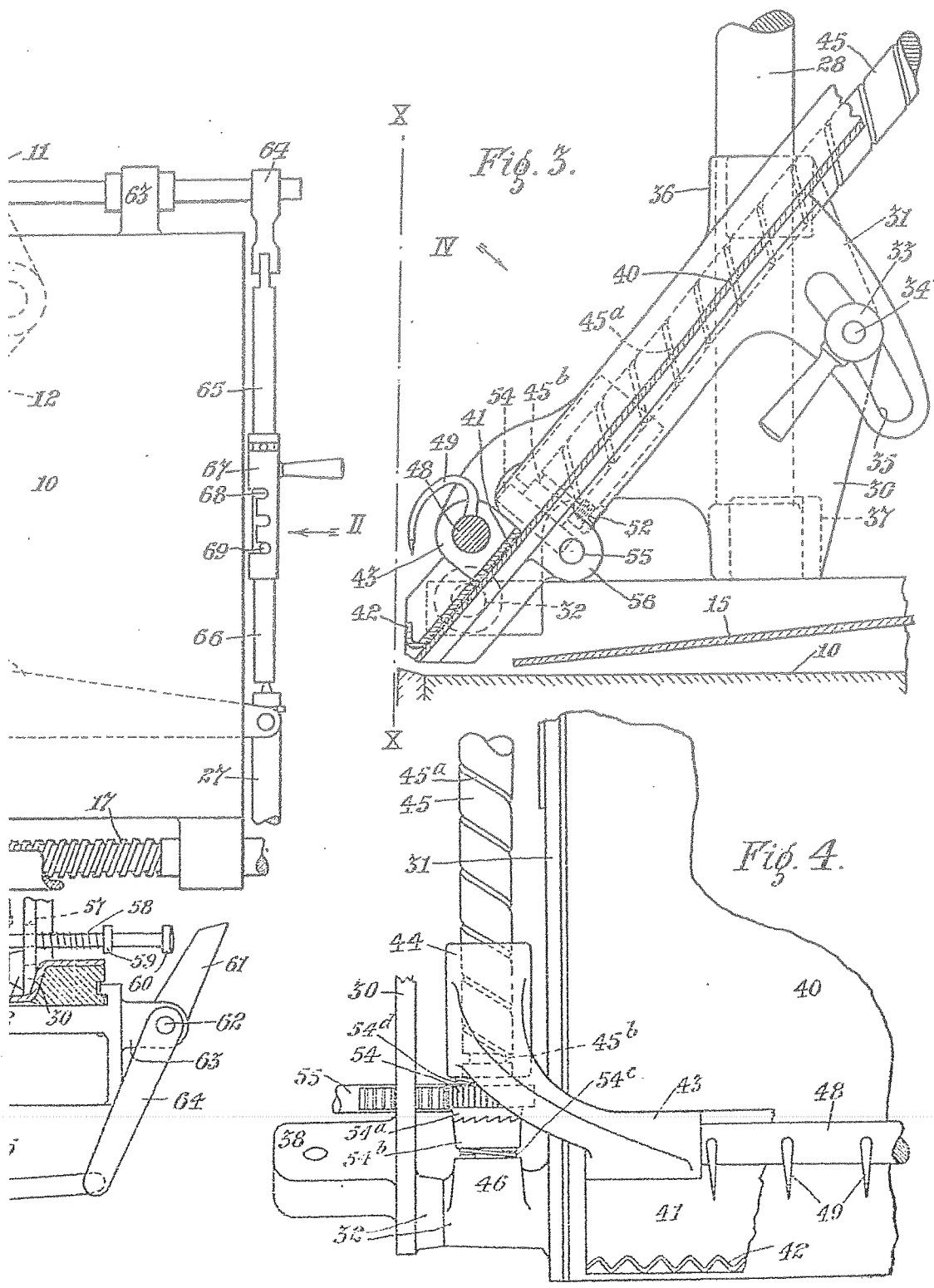
Mounted on the feed screw at or near one end thereof is a free-wheel pinion, and slidable in the frame there is a rack bar engaging said pinion. The rack bar can be intermittently operated from the slicing machine in divers ways. For instance, the machine may have an abutment which the said rack bar engages during the reciprocation of the machine carriage. Alternatively, the rack bar may be operatively connected to a rock

Price 4s 6d

Price 25p*

[This Drawing is a reproduction of the Original on a reduced scale.]





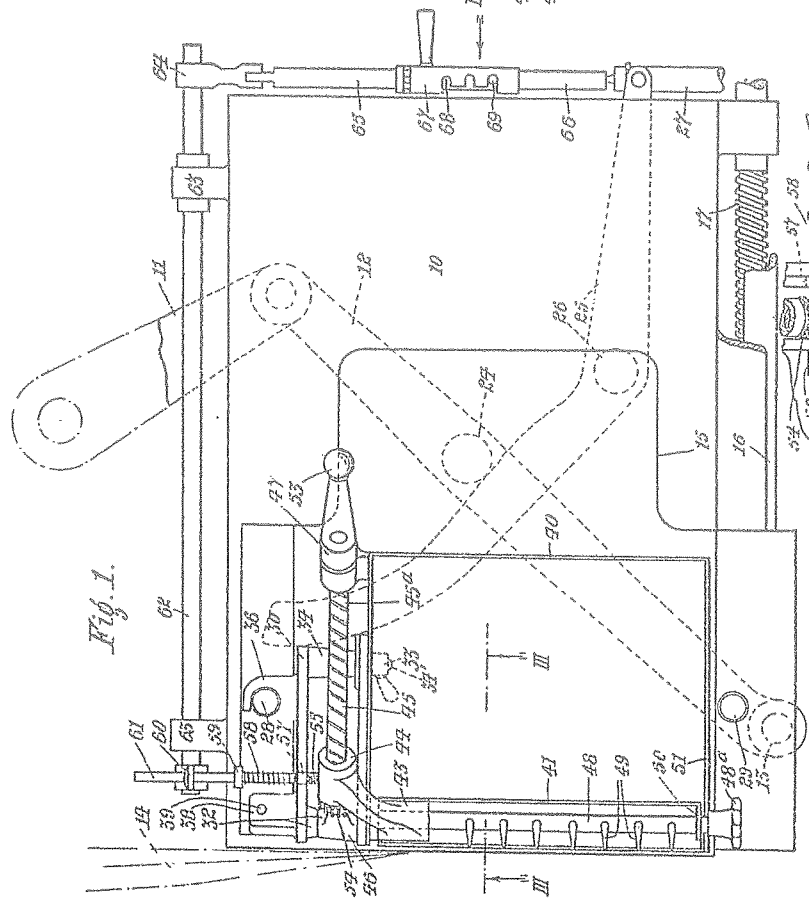


Fig. 1.

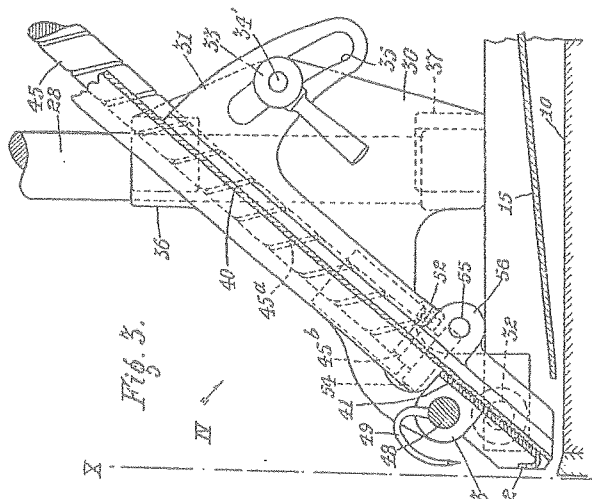


Fig. 3.

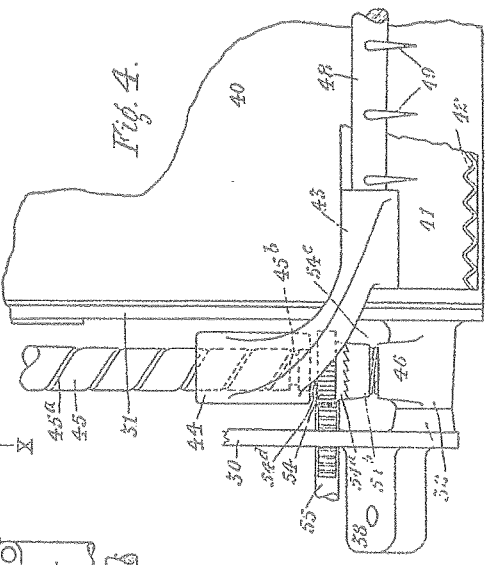


Fig. 4.

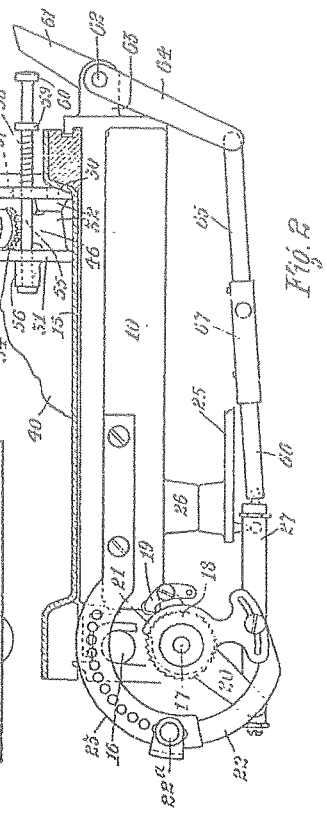


Fig. 2.

[This Drawing is a reproduction of the Original on a reduced scale.]

[This Drawing is a reproduction of the Original on a reduced scale.]

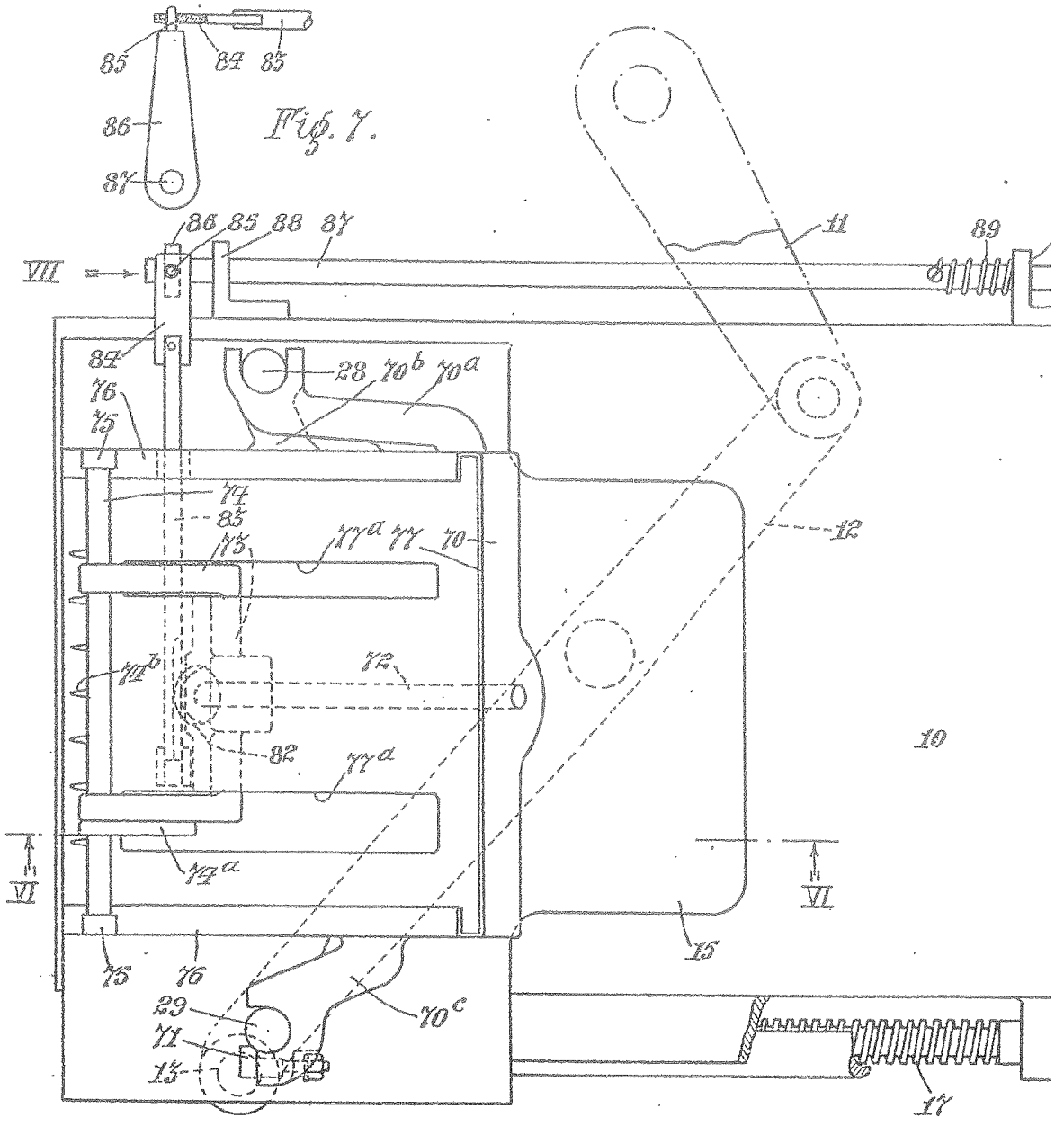
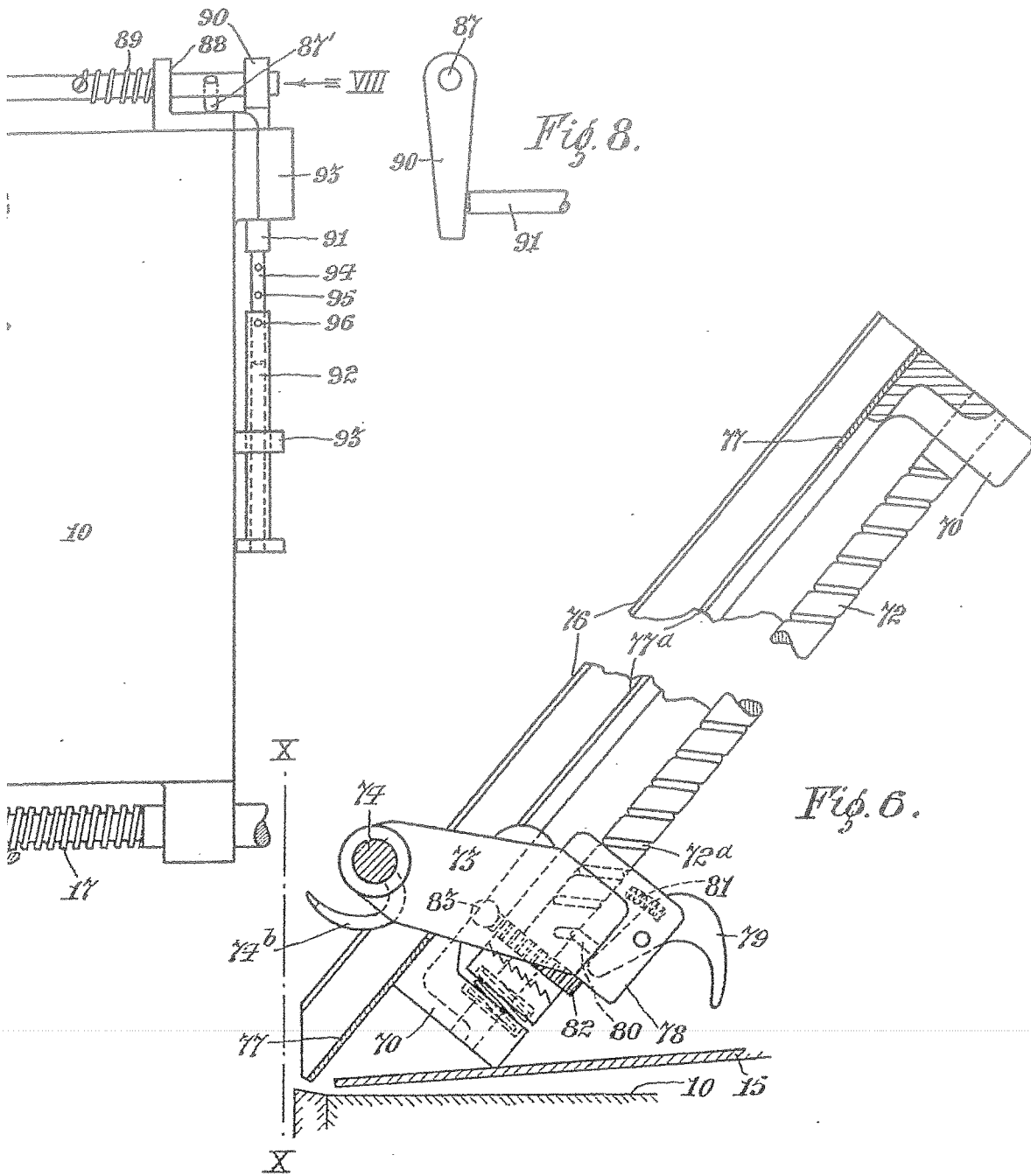


Fig. 5.

Fig. 7.



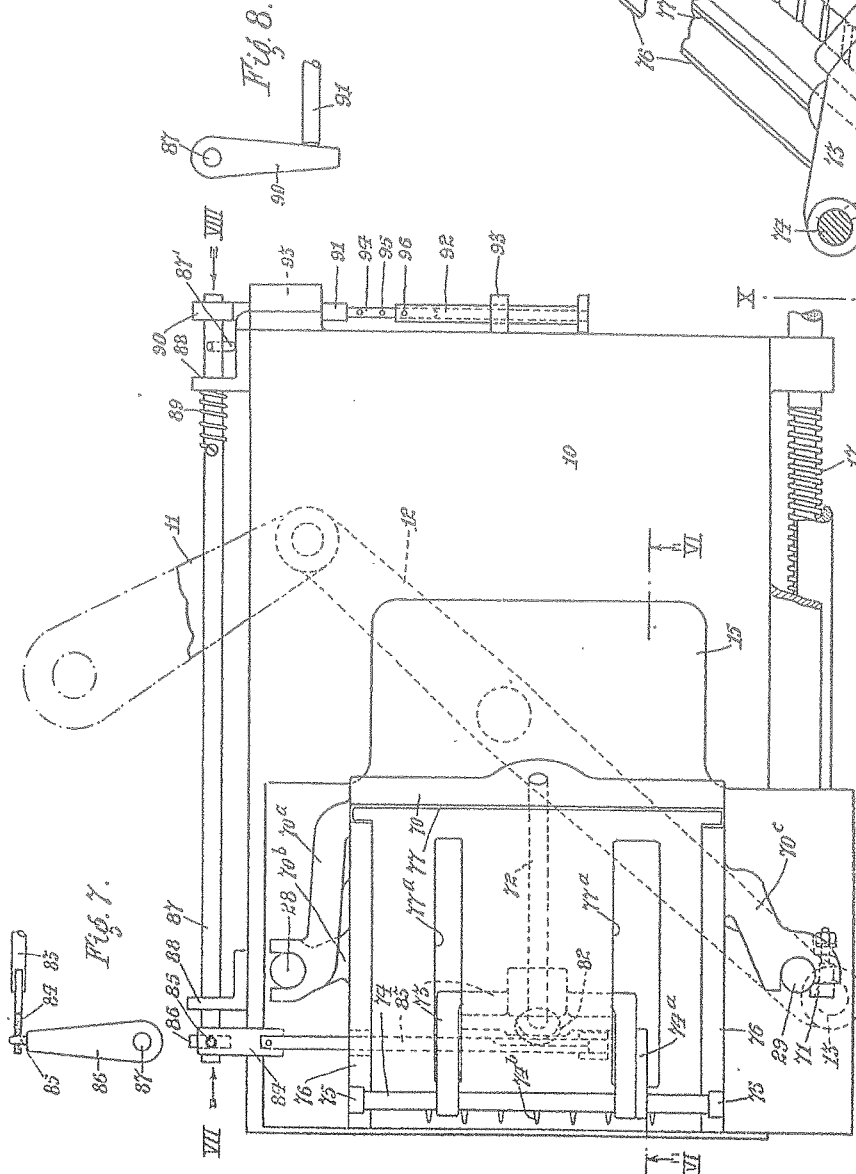
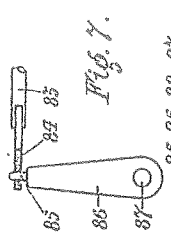


Fig. 5.

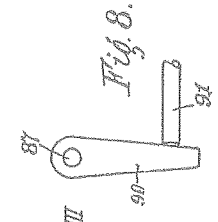


Fig. 8.

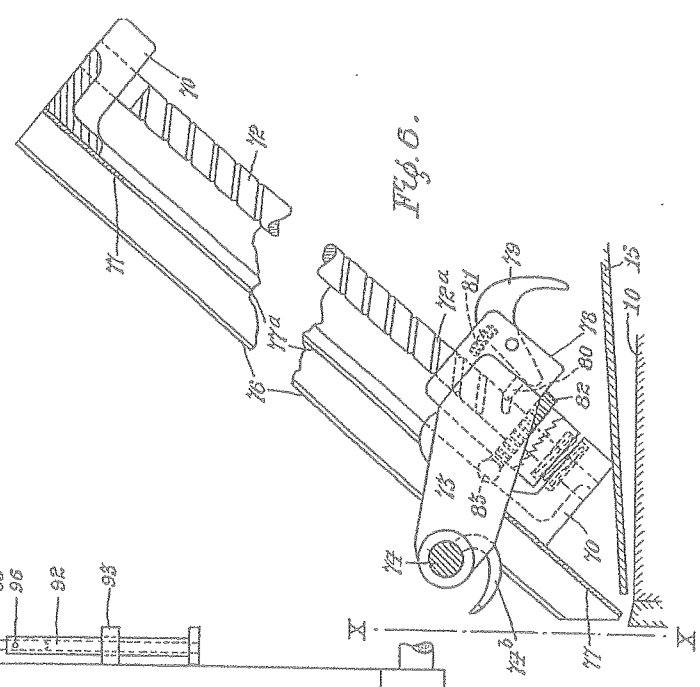


Fig. 6.

[This Drawing is a reproduction of the Original on a reduced scale.]