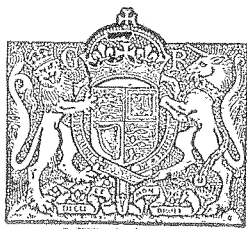


PATENT SPECIFICATION



Application Date: June 1, 1934. No. 16349/34.

433,819

Complete Specification Left: March 16, 1935,

Complete Specification Accepted: Aug. 21, 1935.

PROVISIONAL SPECIFICATION

Improvements relating to Slicing Machines

We, BERKEL & PARNALL'S SLICING MACHINE MANUFACTURING COMPANY LIMITED, a British Company, of Aden Road, Ponders End, Middlesex, England, and HENRY THOMAS, a British subject, of the Company's address, do hereby declare the nature of this invention to be as follows:—

Machines for slicing meat and other edible substances are commonly provided with a conveniently attachable and detachable fitting known as an end-piece holder, the function of which is to grip comparatively short pieces of substance, usually end pieces, that cannot be conveniently clamped or otherwise secured in place. End-piece holders are attachable to a slicing-machine part adapted to receive feed-movements towards the slicing knife, and they are usually provided with prongs which can be turned so as to penetrate the substance and hold it securely against the face of the holder.

In accordance with the present invention, an end-piece holder is provided at one side with means of attachment to a slicing-machine part, the means being capable of completely supporting the holder when attached, and with locking means which automatically acts to lock the holder to said part on attachment of the holder thereto.

The chief advantage of one-side attachment is that the holder and associated supporting parts can be maintained compact, it being desirable to limit the width of the holder and said parts as nearly as possible to the width of the substance-gripping elements irrespectively of the maximum width of the feed-table or other substance-support. The advantage of automatic locking is that locking of the holder is independent of the control of the operator, who might in the absence of an automatic arrangement leave the holder unlocked, in which event the cutting action would displace the holder, with the result that irregular slices would be cut and there would be serious danger of the holder fouling the knife with consequent probable breakage of parts of the machine.

Generally, the slicing machine part to

[Price 1/-].

Price 4s 6d

which the end-piece holder is adapted for attachment and locking is an upright post on the feed-table or other feed-member, said post serving also as a support for the usual clamp; but, if desired, the end-piece holder may be adapted for attachment and locking at one side to any other appropriate slicing-machine part, such as the feed-table itself or other feed-member.

Various practical arrangements can be adopted as embodiments of the invention.

In one arrangement, the end-piece holder has, at the back thereof, a handle forming part of a bracket having two spaced open-sided bearings adapted partly to embrace at different levels one of the two clamp uprights on the usual feed-table. In the lower of these bearings there is provided a hole which can engage a pin provided on the feed-table at a position near the upright engaged by the bearings. The said pin, which may be one of the usual pins on the feed-table, prevents the holder when properly positioned on the machine from turning round the upright. In the upper of the two bearings there is mounted a part-circular tilting friction-collar which, when the holder is properly positioned, partly embraces the upright and is urged by a spring to bite the upright and thus lock the holder rigidly thereto. The handle is associated with a thumb-lever continuously urged by a spring to occupy a position in which said lever leaves the collar free to exert its locking action. The operator, when he grasps the handle, can depress the lever with his thumb, thereby causing the lever to engage with and displace the collar into an inoperative position, so that the holder can be freely removed from the upright. It will be therefore seen that the act of fitting and leaving the holder on the upright necessarily results in the holder being automatically locked thereto under the action of the spring means.

In another arrangement, instead of a friction collar as locking means, there is provided a sliding bolt spring-urged towards the clamp-upright, so that, when the holder is properly positioned, the nose

[This Drawing is a reproduction of the Original on a reduced scale.]

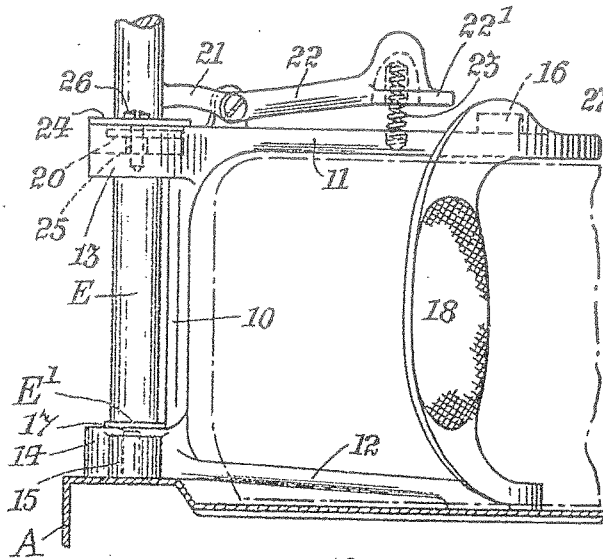
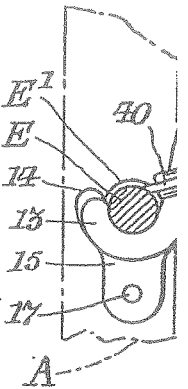
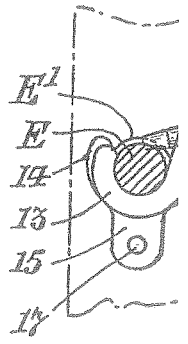
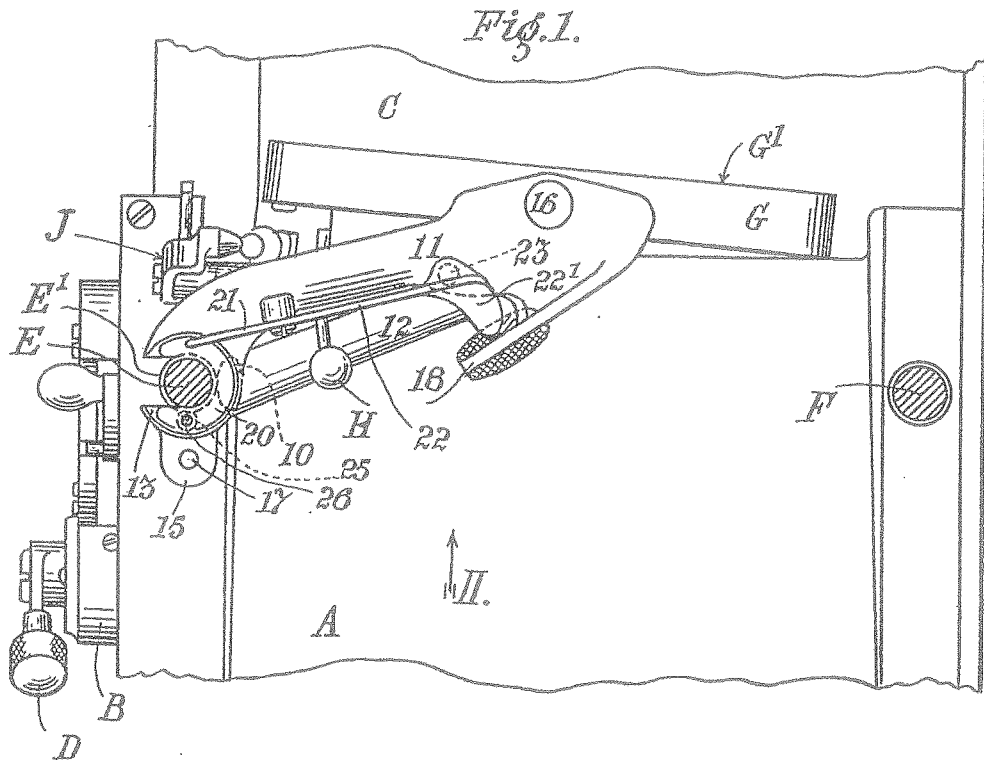


Fig. 3.

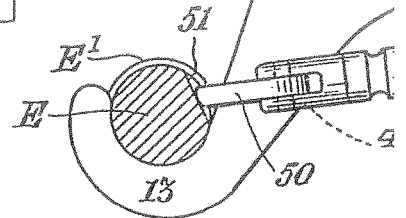
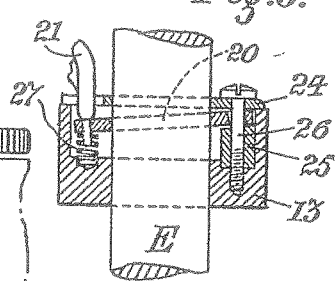
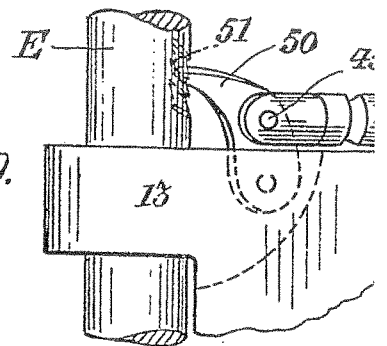


Fig. 2.

Fig. 9.



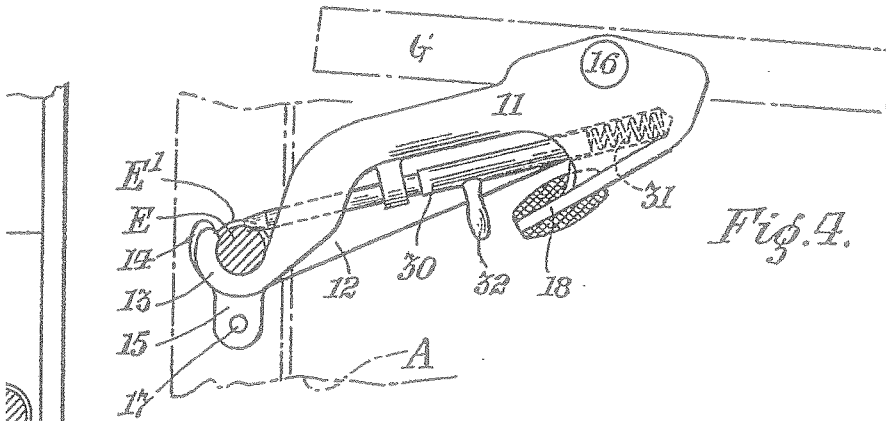


Fig. 4.

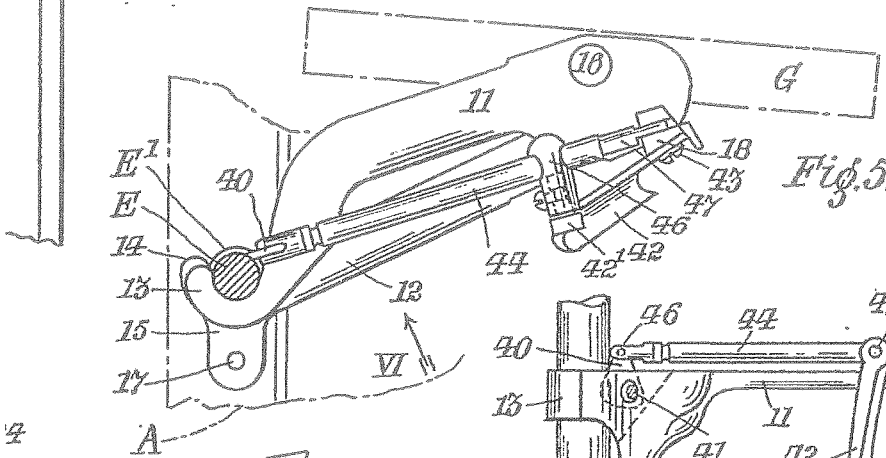


Fig. 5.

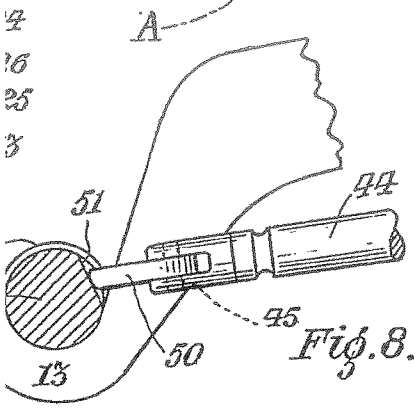


Fig. 8.

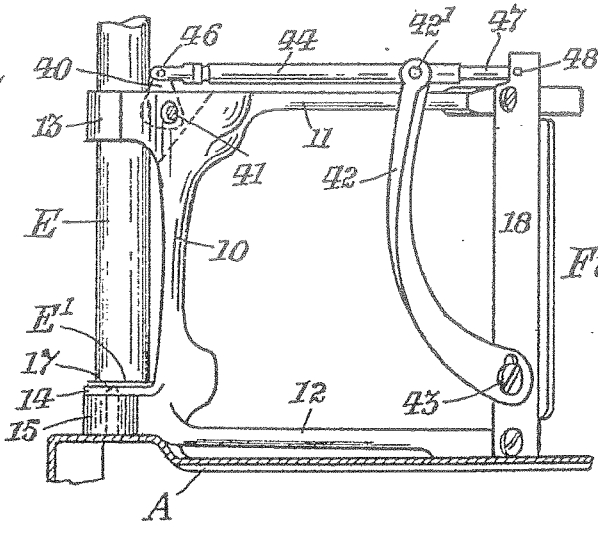


Fig. 6.

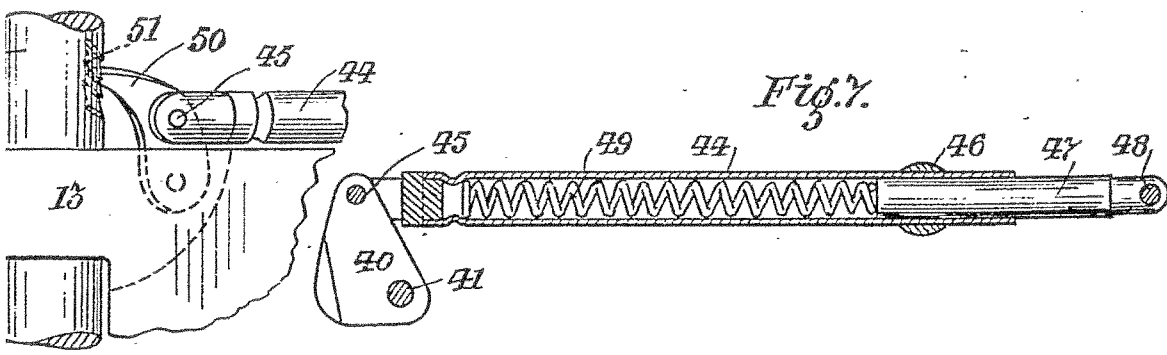


Fig. 7.

[This Drawing is a reproduction of the Original on a reduced scale.]

